



RM-7003
B. Arch. - III (Sem. - VI) Examination
May / June - 2010
Estimation

Time : 3 Hours]

[Total Marks : 50

Instructions :

(1)

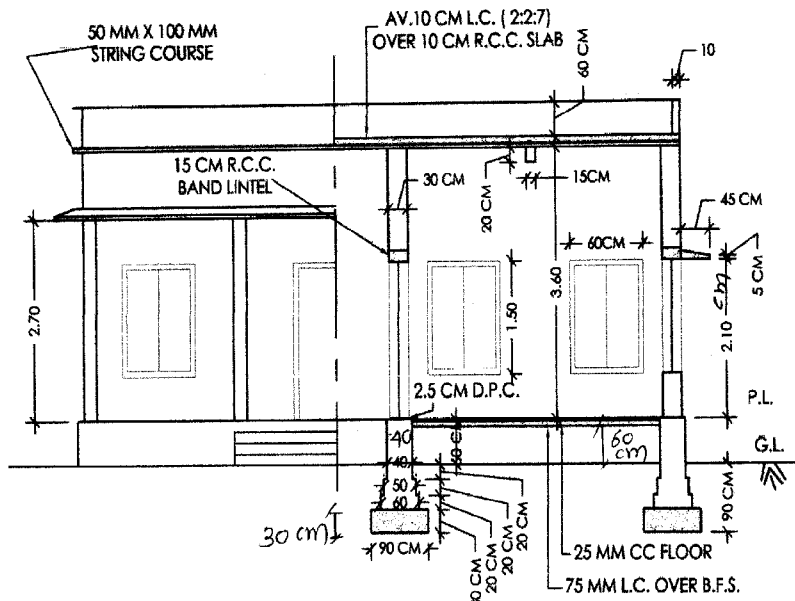
<p>नीचे दशांशवैल निशानीवाणी विगतो उत्तरवडी पर अवश्य दधवी. Fillup strictly the details of signs on your answer book.</p> <p>Name of the Examination : B. ARCH. - 3 (SEM. - 6)</p> <p>Name of the Subject : ESTIMATION</p> <p>Subject Code No. : 7 0 0 3 Section No. (1, 2.....): NIL</p>	<p>Seat No. : □ □ □ □ □ □</p> <div style="border: 1px solid black; border-radius: 15px; padding: 10px; text-align: center; width: 100%;">Student's Signature</div>
---	--

- (2) Assume necessary data and mention the same wherever applicable.
- (3) Figures/Numbers mentioned to the right indicate marks.
- (4) Use of scientific calculator is permitted.
- (5) Use of necessary drawing instruments is permitted.

Q-1 Give answers to the following using Fig. 01:

(30)

1. Draw the foundation plan for the given building drawing.
2. Calculate the quantity of filling in selected earth in the plinth
3. Calculate the quantity for items of RCC Lintel and Chajja
4. Write down brief specification for and Calculate quantity of earth work in excavation and P. C. C. (1:5:10) for foundation.
5. Calculate the quantity of 12 mm thick Smooth Internal Plaster for the super structure
6. Calculate the quantity for Brick work for the super structure



SCHEDULE

DOOR:

D = 1.2 M X 2.1 M
 FRAME
 = 10 CM X 8.0 CM

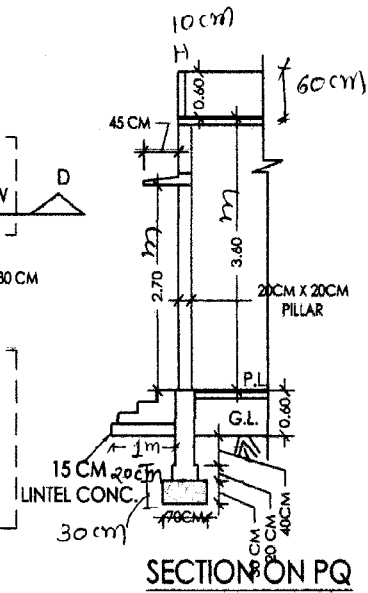
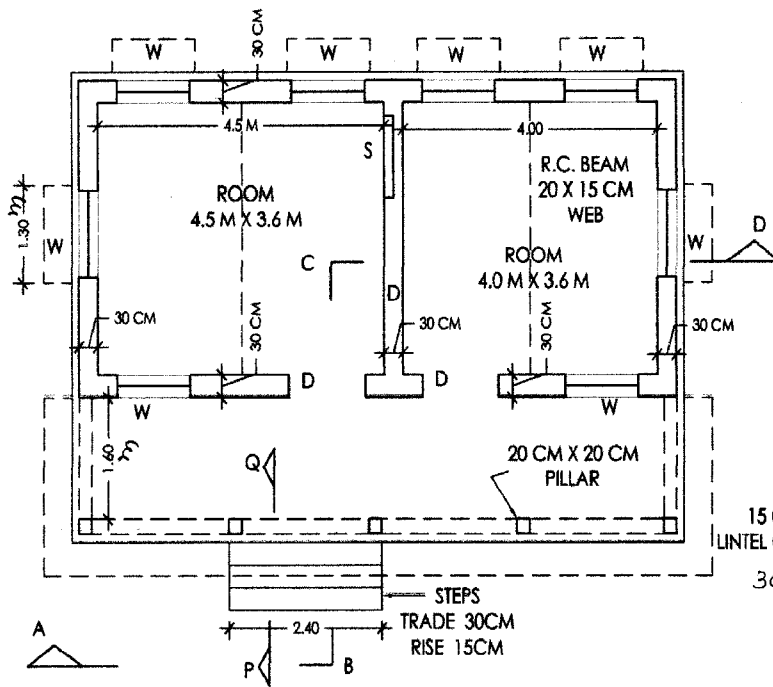
WINDOW

W = 1.1 M X 1.5 M
 FRAME
 = 10 CM X 8.0 CM

SHELF

S = 1.1 M X 1.5 M
 20 CM DEEP

SECTIONAL ELEVATION ON ABCD



SECTION ON PQ

PLAN

FIG-1

Q-2 Prepare 'Schedule of Bars' and work out the total steel required for the following R. C. C. Structural element (Figure - 02). Also calculate the total quantity of concrete required for the element. (20)

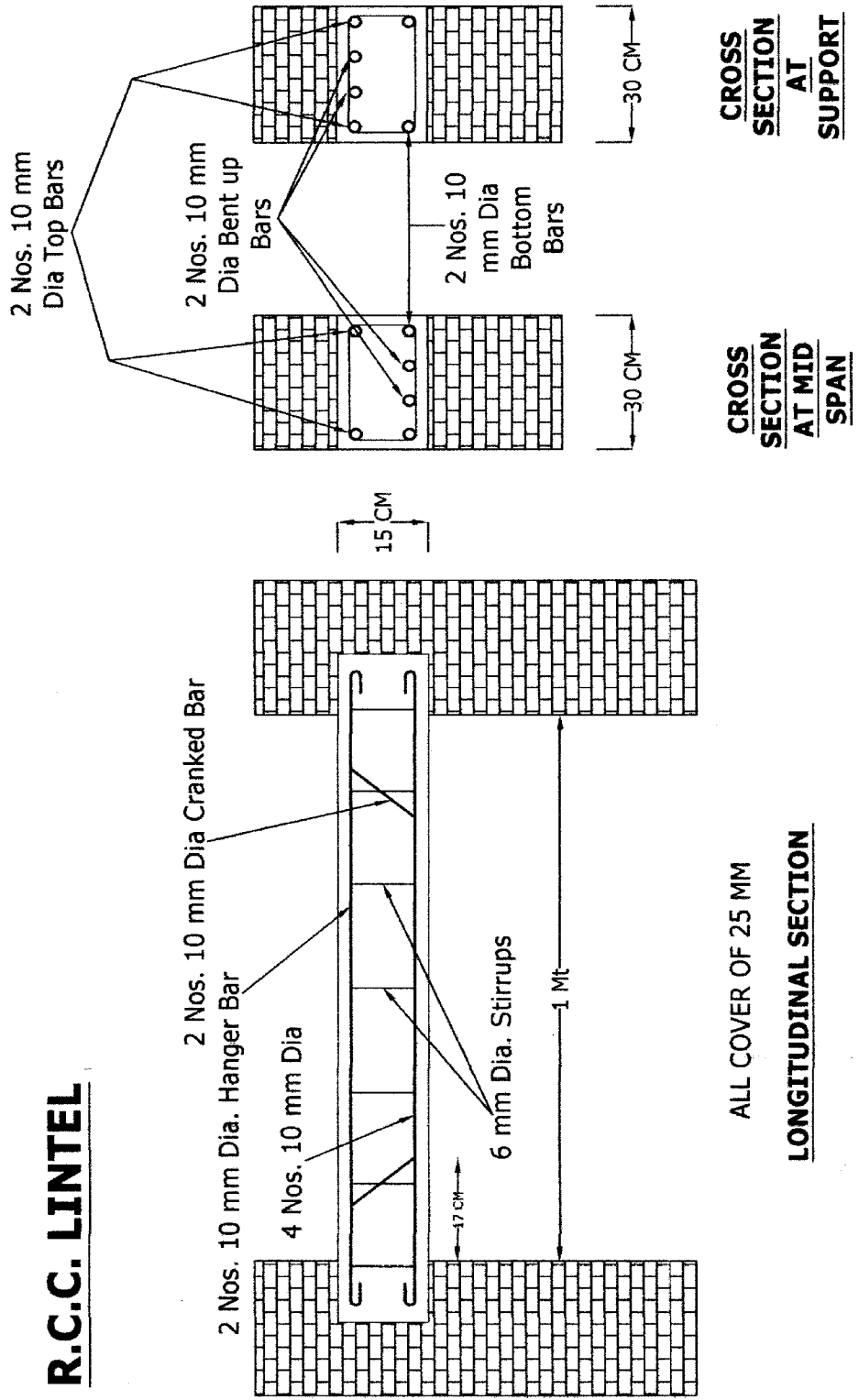


FIG-2

OR
3

Q-2 A Explain the Following : (10)

1. Explain the terms 'Administrative Approval' and 'Technical Sanction'
2. Narrate the general deduction rules for brick works and plaster works

Q-2 B Answer the following : (4)

1. Define the terms: "General Overheads" and "Job Overheads"
2. Explain the method of deriving a rate of an item. Mention the steps to follow for arriving at a rate of an item.

Q-2 C Answer the following (6)

1. Derive the competitive market unit rate for Cement Mortar (1:4). Consider the rate of cement at Rs. 150 per bag, sand at Rs. 550 per Cu. Mt.
-